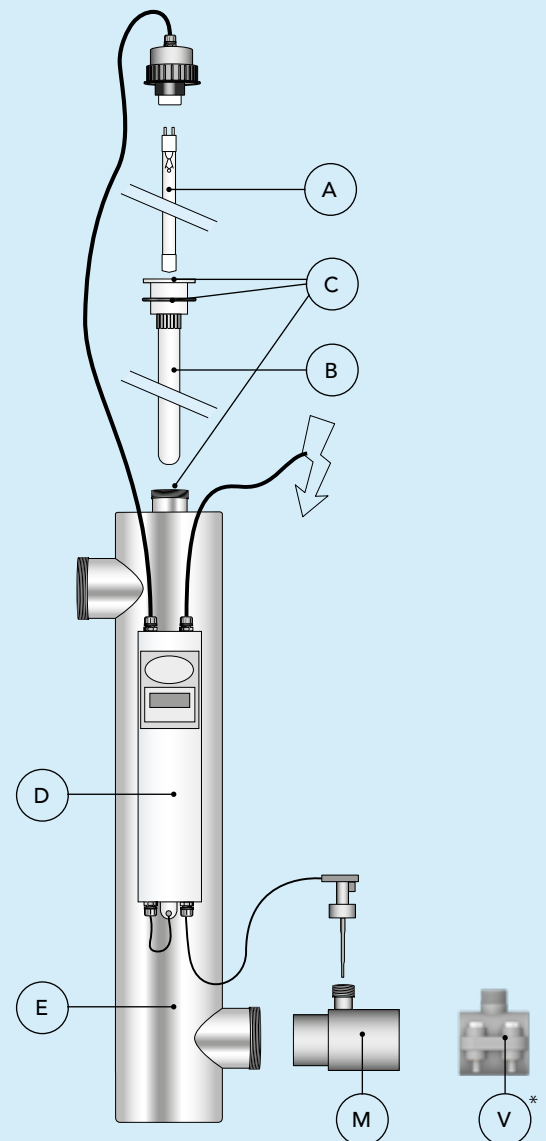


## Spare parts

ART. NUMBER	DESCRIPTION
<b>BP02752</b>	<b>Blue Lagoon INOX UV-C 75 W</b>
<b>BP02132</b>	<b>Blue Lagoon INOX UV-C 130 W Amalgam</b>
E800902P	Lamp Philips TUV 36T5 75 W HO 4P-SE Base C AM
E800904	Lamp Philips TUV XPT 130 W 4P-SE Amalgam Base E
QG015	Quartz Glass VSC 933 x 25 mm 40/75/80 W AM
QG012	Quartz Glass VSC 920 x 30 mm 130 / 140 W AM
E800912	Set (3pcs) O-ring for quartz glass
EP075010.1	Electrics for BL UV-C INOX 75 W incl. flow switch
EP130007	Electrics for BL UV-C INOX 130 W amalgam incl. flow switch
B212002	Housing for Blue Lagoon Inox UV-C
B290020	Reduction piece 63/63 mm 3/4" male threaded for flow switch
B290021	Reduction piece 60.3/60.3 mm 3/4" male threaded for flow switch

\* Optional

B290177	V Tapping saddle <b>50x3/4"</b> male thread for flow switch
B290170	V Tapping saddle <b>63x3/4"</b> male thread for flow switch
B290176	V Tapping saddle <b>75x3/4"</b> male thread for flow switch



## Technical specifications

	<b>INOX UV-C 75 W</b>	<b>INOX UV-C 130 W</b>
Item code	BP02752	BP02132
Type	75.000 / 75 W	150.000 / 130 W
EAN	8714404038669	8714404038676
Rec. flow for 30 mJ/cm <sup>2</sup>	18 m <sup>3</sup> /h	22 m <sup>3</sup> /h
Max. pressure	5 bar	5 bar
Max. flow	23 m <sup>3</sup> /h	23 m <sup>3</sup> /h
Diameter unit Ø	114 mm	114 mm
Length unit	100 cm	100 cm
Diameter in-outlet Ø	2" Male thr.	2" Male thr.
Housing material	316 L	316 L
Electronic ballast	230 V AC 50 Hz	230 V AC 50 Hz
Lamp power	75 W	130 W
Lamp	Philips TUV 36T5 HO 4P-SE (75 W)	Philips TUV 130 W 4P-SE Amalgam
Lifespan lamp	9,000 h	12,000 h
Timer	✓	✓
Replace lamp alert	✓	✓
Flow switch	✓	✓
Weight	7,2 Kg	7,3 Kg
Quantity full pallet	21 pcs	21 pcs