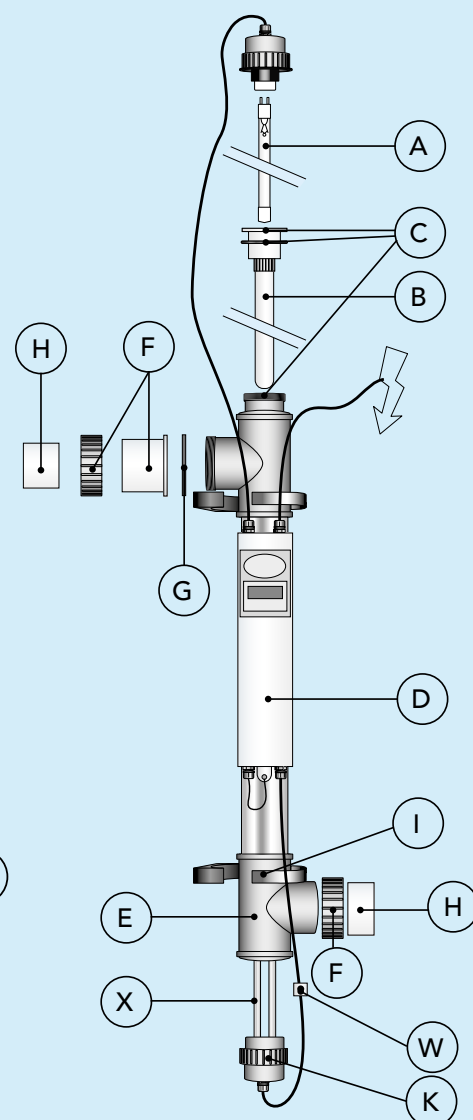


Spare parts

ART. NUMBER	DESCRIPTION
BH04402	Blue Lagoon Copper Ioniser UV-C 40 W
BH04752	Blue Lagoon Copper Ioniser UV-C 75 W
B280002	A Lamp Blue Lagoon T5 40 W Ionizer Base K
B280001	A Lamp Blue Lagoon T5 75 W Ionizer Base K
QG017	B Quartz Glass VSC 695 x 25 mm 40/75 W AM
E800912	C Set (3pcs) O-ring for quartz glass
EP040007	D Electrics for BL UV-C Ionizer 40 W
EP075011	D Electrics for BL UV-C Ionizer 75 W
B220002	E Housing Blue Lagoon Ionizer UV-C 40/75 W
B915000	F Set (2pcs) 3-way connection blue 63 mm
E800944	F Set (2pcs) 3-way connection USA / UK 60½ mm
E800941	G Set (2pcs) O-rings 3-way connection
F990115	H Reduction piece 1.5" female threaded x 63 mm out/ 50 mm in ABS
B290006	I Mounting bracket 75 mm PP Blue
B290010	K Cable connector
E801215	W Nut 70 mm x 33.5 mm for end cap ABS Blue
B290029	X Copper set base + cable connector
B200020	Y Test strips for Ionizer (50 strips)



Technical specifications

	COPPER IONIZER UV-C 40 W	COPPER IONIZER UV-C 75 W
Item code	BH04402	BH04752
Type	40.000 / 40 W	75.000 / 75 W
EAN	8714404034241	8714404036689
Rec. flow for 30 mJ/cm ²	11 m ³ /h	16 m ³ /h
Max. pressure	2 bar	2 bar
Max. flow	23 m ³ /h	23 m ³ /h
Diameter unit Ø	70 mm	70 mm
Length unit	100 cm	100 cm
Diameter in-outlet Ø	63mm / 50mm / 1½"	63mm / 50mm / 1½"
Housing material	316L	316L
Electronic ballast	230 V AC 50 Hz	230 V AC 50 Hz
Lamp power	40 W	75 W
Lamp	Blue Lagoon T5 40 W Ionizer	Blue Lagoon T5 75 W Ionizer
Lifespan lamp	9,000 h	9,000 h
Copper ionizer	0,7 ppm	0,7 ppm
Replace lamp alert	✓	✓
Weight	5,0 Kg	5,2 Kg
Quantity full pallet	24 pcs	24 pcs